

DA20 Series Technical Specifications



Power Plant

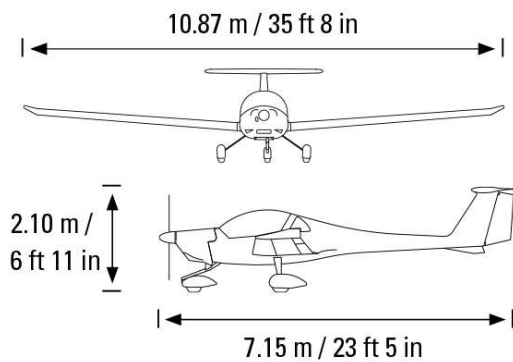
| | DA20i Katana | DA20 C1 |
|-------------|----------------------------------------------------------------|---------------------------------------------|
| Engine | (BRP-Powertrain) Rotax 912 iSc3 Sport with 100 HP | 125hp Continental Motors IO-240-B32B engine |
| Propeller | MT propeller MTV-21-A/175-05, 2-blade constant speed propeller | Sensenich 2 blade fixed pitch propeller |
| Fuel grades | AVGAS 100LL, Mogas, Super EN 228 | AVGAS 100LL |

Performance (MTOM, ISA)

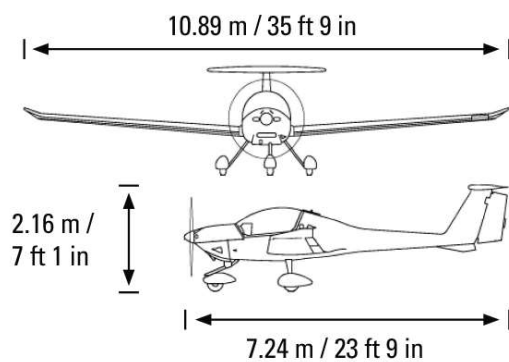
| | DA20i Katana | | DA20 C1 | |
|-------------------------------------|--------------|--------------|--------------|--------------|
| Max. cruise speed | 226 km/h TAS | 122 kts TAS | 240 km/h TAS | 130 kts TAS |
| Stall speed, landing configuration | 83 km/h CAS | 45 kts CAS | 83 km/h CAS | 45 kts CAS |
| Rate of climb (MSL) | 3.4 m/s | 667 ft/min | 4,2 m/s | 830 ft/min |
| Range at 55 % (8,000 ft) | 1,302 km | 703 nm | 973 km | 525 nm |
| Fuel Consumption at 55 % (8,000 ft) | 11.1 l/h | 2.9 US gal/h | 20 l/h | 5.3 US gal/h |

| | DA20i Katana | | DA20 C1 | |
|-------------------------------------------------------|---------------|-------------------|---------------|---------------------|
| Take-off ground roll / Take off distance (MSL, 50 ft) | 254 m / 500 m | 833 ft / 1,640 ft | 383 m / 500 m | 1,256 ft / 1,640 ft |
| Landing ground roll / Landing distance (MSL, 50 ft) | 204 m / 507 m | 669 ft / 1,663 ft | 201 m / 415 m | 661 ft / 1,360 ft |
| Max. operating altitude | 4,000 m | 13,100 ft | 4,000 m | 13,100 ft |
| Max. demonstrated crosswind | 37 km/h | 20 kts | 37 km/h | 20 kts |

Dimensions



DA20i Katana



DA20 C1

Mass and Loading

| | DA20i Katana | | DA20 C1 | |
|--------------------|----------------|-------------------------|-----------------|-----------------------|
| Seats | 2 | | 2 | |
| Empty weight | 525 kg | 1,158 lbs | 535 kg | 1,180 lbs |
| Useful load | 275 kg | 606 lbs | 265 kg | 584 lbs |
| Max. take off mass | 800 kg | 1,764 lbs | 800 kg | 1,764 lbs |
| Useable fuel | 84 l / 60.5 kg | 22.2 US gal / 133.4 lbs | 91 lt / 65,5 kg | 24 US gal / 144,4 lbs |

¹. Short trip loading, well serviced aircraft condition

Specifications apply to standard equipped aircraft, if not otherwise stated. The above data are approximately specifications and may change without notice.